



HOUSE OF WORSHIP
CONQUER ALL ELEMENTS

LED MOVING HEAD FIXTURES

DYNAMIC & VERSATILE

It's easy to see why houses of worship are adding moving head fixtures to their existing lighting systems. Today's moving head washes, spots, and hybrids, like those in our Rogue and Maverick series, are quiet, compact, and affordable. At the same time, they fill a variety of design roles from accenting architectural features to lending inspiring dimension to services and special events..

"I was blown away by how bright the Maverick fixtures were. The quality of light and effects they made were fantastic."

- Tim Messina of Events United



MAVERICK MOVING HEADS



Maverick MK3 Profile

820 W LED with CMY flags and CTO flag +
5.9° to 52.7° Zoom Angle; 4 blade shutter framing system.



Maverick MK3 Spot

820 W LED with CMY flags and CTO flag +
7.6° to 60.5° Zoom Angle.



Maverick Sliens 2 Profile

500 W LED, Cool White, 60 W LED, RGB
CMY flags and CTO flag
Four-blade framing shutter system with rotation
6° to 54° Zoom Angle



Maverick MK3 Wash

27 40 W Pixel Mapping Osram RGBW
LEDs 7.4° to 52.8° Zoom Angle.



Maverick MK2 Wash

12 40 W Pixel Mapping Osram RGBW
LEDs 7.9° to 55.1° Zoom Range.



Maverick MK Pyxis

9 15 W RGBW Outer Ring LEDs, 1 60 W RGBW Center Pixel
LED 7.9° to 47.8° Zoom Angle, 2.7° Center Pixel Beam Angle
and 4.9° to 32° Outer Ring Beam Angle.

"The Rogue fixtures give the church the flexibility to create a variety of different looks and do different things that engage people in new ways, not just at worship services, but also at youth events and concerts."

**- Duke DeJong,
Vice President of Systems Integration at CCI Solutions**



Rogue R3 Spot
300 W CW LED with 14 Colors +
13° - 37° Zoom Angle.



Rogue R2X Spot
300 W CW LED with 14 Colors.



Rogue R1X Spot
170 W CW LED with 8 Colors.



ROGUE MOVING HEADS



Rogue R3X Wash

37 25 W RGBW quad-LEDs + 11.6° to 49.5° Zoom Angle.



Rogue R2X Wash

19 25 W RGBW quad-LEDs + 11.2° - 51.2° Zoom Angle.



Rogue R1X Wash

7 25 W RGBW quad-LEDs + 11.5° to 50.8° Zoom Angle.



Rogue R1 BeamWash

7 40 W RGBW quad-LEDs + 5° to 58.2° Zoom Angle



Rogue R1 FX-B

5 15 W pixel mappable RGBW LEDs 6.2° Beam Angle



Rogue R2X Wash VW

19 25 W CW and WW LEDs + 11.3° - 50.4° Zoom Angle.

LED STAGE LIGHTING

ENGAGING & EFFICIENT

Save energy, lower utility costs, and eliminate costly maintenance by replacing your incandescent system with the award-winning LED Ovation series. Designed for applications where silence and discretion are critical, these LED fixtures also produce less heat making performances and sermons more comfortable while also saving on energy output and cost.

"We wanted fixtures with the output that could give us the coverage we needed in a large area and would also deliver good color quality."

- Mark Pearson from CCI



OVATION ELLIPSOIDALS



Ovation E-910FC

91 LEDs 3 W each, RGBA+Lime.

* Equipped with a Virtual Color Wheel that matches popular gel colors when projected by a tungsten source.

* Available black or white housing.

WHY LIME LEDs?

Lime fits optimally in the wave length that the human eye sees best resulting in superior color blending, even in the most subtle hues, plus brighter output of colors – and whites at every color temperature.



Color Temperature Range



2800 - 8000 K

Ovation E-930VW

91 LEDs 3 W each, Variable White.

* Each color temperature can be further adjusted for +/- green to perfect the field of light.

2016 New Product Awards Winner



Ovation E-260WW

1 LED 230 W, Warm White.

* Available black or white housing.



The "D" is for Dimming.

Smart auto sensors adapt and respond to either conventional dimmers or constant power with DMX.

Ovation ED-200WW

1 LED 230 W, Warm White.

* True retrofit solution.



Ovation E-160WW

1 LED 86 W, Warm White.

ELLIPSOIDAL ACCESSORIES



• Available in 14°, 19°, 26°, 36° and 50°.



• Available in 15° - 30° and 25°-50°.



• Available in 5° and 10°.

Ovation HD Lens Tubes

All of our lens tubes feature dual aspheric lenses that provide precise focus for crisp gobo projection, integrated gel frame holders with included gel frame, and are rated for outdoor use.



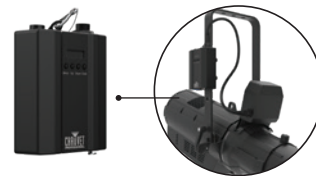
Ovation E-260CW

1 LED 230 W, Cool White.



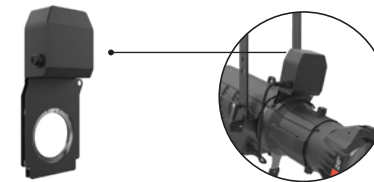
Ovation ETD-40WW

1 LEDs 40 W, Warm White



Ovation GR-1 Adapter

Allows the outdoor rated Ovation GR-1 IP gobo rotator to function with any ERS-style fixture.



Ovation GR-1 IP

The Ovation GR-1 IP is an IP65 rated gobo rotator for the Ovation E-260WW IP and Ovation E-910FC IP.



Metal/Glass Gobo Holders



20-Leaf Iris

OVATION FRESNELS

8" Class



Ovation F-915FC

89 LEDs 3 W each, RGBA+Lime.

30° - 85° motorized zoom.

* Virtual Color Wheel has been added to match popular gel colors.

Color Temperature Range



2800 - 8000 K



Ovation F-915VW

89 LEDs 3 W each, Variable White.

30° - 85° motorized zoom.

* Each color temperature can be further adjusted for +/- green to perfect the field of light.



Ovation F-265WW

1 LED 230 W, Warm White.

27° - 68° motorized zoom.



The "D" is for Dimming.

Smart auto sensors adapt and respond to either conventional dimmers or constant power with DMX.

Ovation FD-205WW

1 LED 230 W, Warm White.

20° - 72° motorized zoom.

6" Class



Ovation F-415FC

46 LEDs 3-5 W each, RGBA+Lime.

27° - 68° motorized zoom.

* Virtual Color Wheel has been added to match popular gel colors.

Color Temperature Range



2800 - 8000 K



Ovation F-415VW

46 LEDs 3-4 W each, Variable White.

27° - 68° motorized zoom.

* Each color temperature can be further adjusted for +/- green to perfect the field of light.



The "D" is for Dimming.

Smart auto sensors adapt and respond to either conventional dimmers or constant power with DMX.

Ovation FD-105WW

1 LEDs 80 W, Warm White.

14° - 63° manual zoom.



Ovation F-145WW

1 LED 70 W, Warm White.

25° - 65° motorized zoom.

3" Class



Ovation F-55FC

15 LEDs 3-4 W each, RGBA+Lime.

32° - 87° manual zoom.

* Virtual Color Wheel has been added to match popular gel colors.



Ovation F-55WW

1 LED 36 W, Warm White, 31.5° to 75.1° Zoom Angle

30° - 70° manual zoom.



The "D" is for Dimming.
Track-mounted for conventional dimming.

Ovation FTD-55WW

1 LED 36 W, Warm White, 31.5° to 75.1° Zoom Angle

30° - 70° manual zoom.

FRESNEL ACCESSORIES



Ovation F 3.5" barn door



Ovation F 6.25" barn door



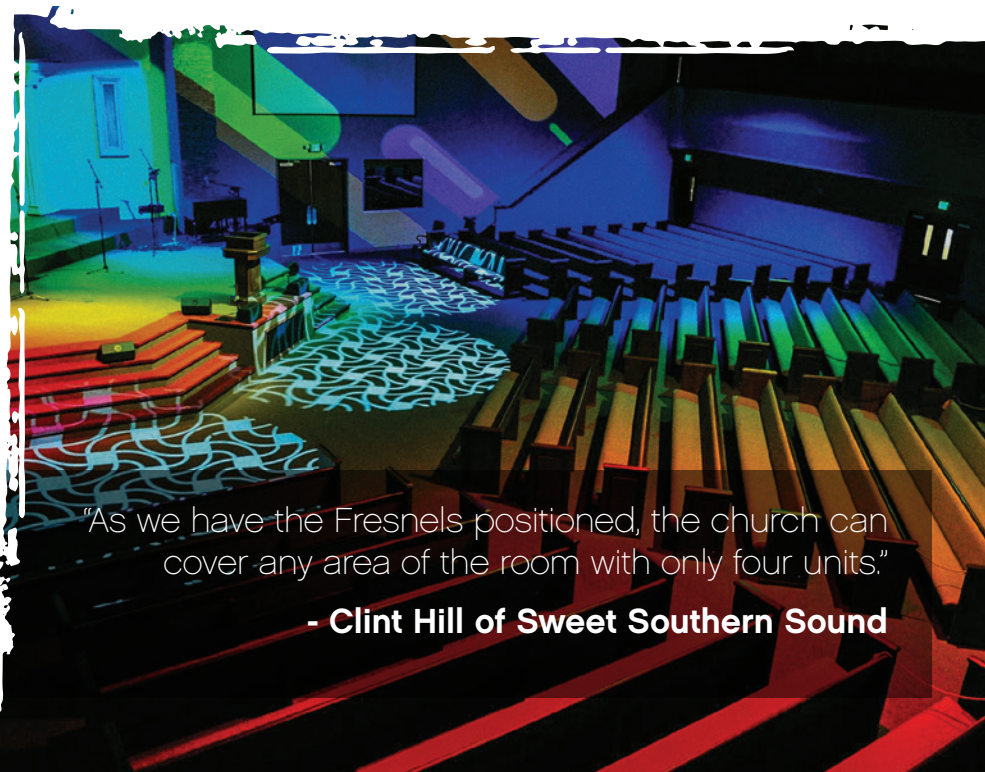
Ovation F 7.25" barn door



Optional Ovation 60 deg,
75" Honeycomb

Barn Doors

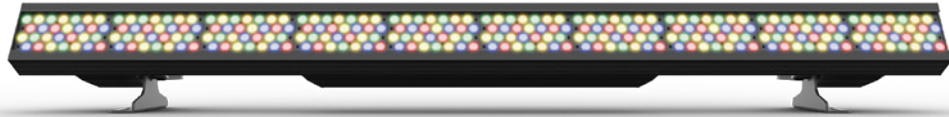
All of our Ovation barn doors eliminate light leaks and minimize spillage.



"As we have the Fresnels positioned, the church can cover any area of the room with only four units."

- Clint Hill of Sweet Southern Sound

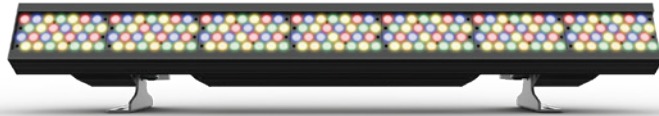
OVATION BATTENS



Ovation B-2805FC

69" batten with 280 3 W LEDs, (60 red, 60 green, 60 blue, 40 amber, 60 lime).

* Virtual Color Wheel.



Ovation B-1965FC

48" batten with 196 3 W LEDs (42 red, 42 green, 42 blue, 28 amber, 42 lime).

* Virtual Color Wheel.



2017 New Product Awards Winner

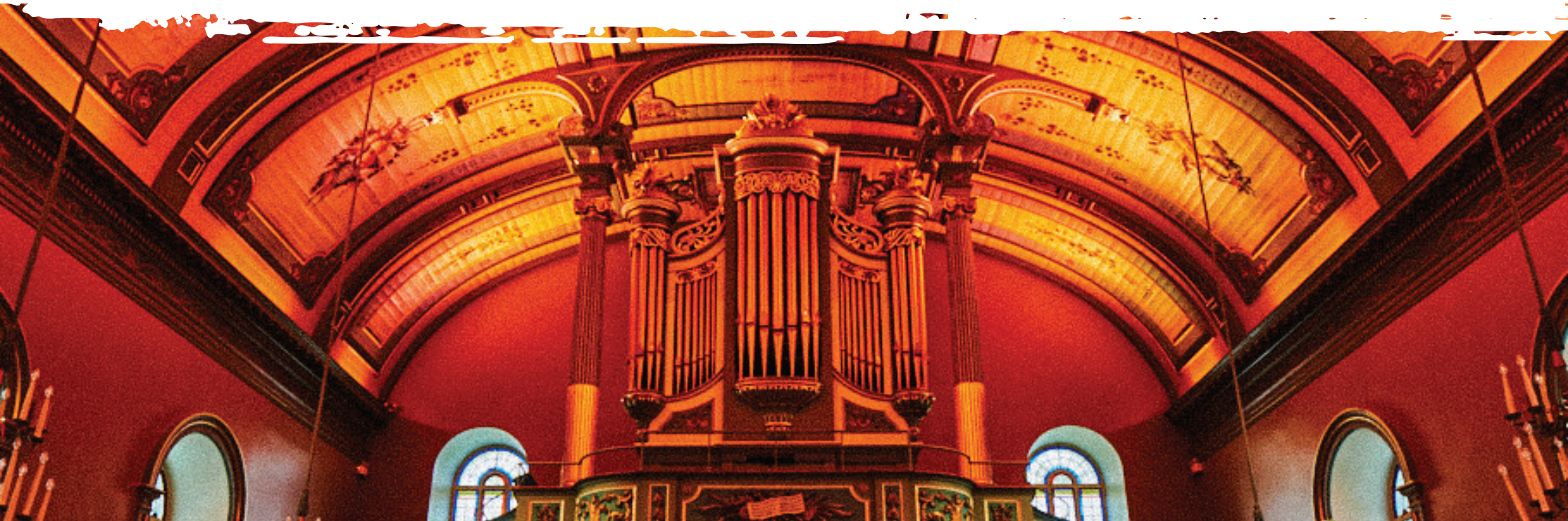


Ovation B-565FC

13.9" batten with 56 3 W LEDs (12 red, 12 green, 12 blue, 8 amber, 12 lime).

* Virtual Color Wheel.

Included holographic filters easily lock into place for use in cyc lighting and wall grazing, and each batten offers 16-bit dimming and adjustable PWM.



OVATION HOUSE LIGHTS



Ovation H-605FC

60 LEDs 2-3 W each, RGBA+Lime.

* Included removable yoke for mounting as a down light pendant, or clamp to a pipe/truss to use as a general area wash or directional flood.

* Available black or white housing.

* Virtual Color Wheel.



Ovation H-265WW

1 LED 230 W, Warm White
3258 K Color Temperature.

* Included removable yoke for mounting as a down light pendant, or clamp to a pipe/truss to use as a general area wash or directional flood.

* Available black or white housing.



Ovation H55WW

1 LED 129.5 W, Warm White
3157 K Color Temperature.

* Included removable yoke for mounting as a down light pendant, or clamp to a pipe/truss to use as a general area wash or directional flood.

* Available black or white housing.



Ovation H55FC

26 LEDs 2.62-5.25 W each, RGBA + Lime

* Included removable yoke for mounting as a down light pendant, or clamp to a pipe/truss to use as a general area wash or directional flood.

* Available black or white housing.

OVATION WASH LIGHTS



Ovation P-56FC

48 LEDs 3-5 W each, RGBA+Lime.

* Virtual Color Wheel has been added to match popular gel colors.



Color Temperature Range



2800 - 8000 K

Ovation P-56VW

48 LEDs 3-4 W each, Variable White.

* Each color temperature can be further adjusted for +/- green to perfect the field of light.



Ovation P-56WW

1 LED 230 W, Warm White.



Ovation P-56UV

1 LED 114 W, UV.

* True UV light with minimal projected visibility.

All of our Ovation 75" beam shaping accessories eliminate leaks and spillage from pars.

LED COLOR WASHES

WARM & GENUINE

COLOrado LED wash fixtures cast rich and vibrant colors to create welcoming and engaging environments at your worship services. A variety of fixture personalities, infinite color options, and precise dimming curves make it easy to promote a reflective atmosphere.

"The zoom function on the COLOrados makes it easy to move from a general wash look to a very narrow special," he said. "The zooming, plus the smooth dimming, has made them invaluable."

**- Ken Patterson,
Owner of in Knoxville**



COLORADO WASHES



COLORado 3 Solo

3 60 W RGBW LEDs wash light,
8° - 45° Zoomable optics.



COLORado 2 Solo

3 40 W RGBW LEDs wash light,
7° - 42° Zoomable optics.



COLORado 1 Solo

1 60 W LED wash light,
8° - 55° Zoomable optics.



COLORado M Solo

1 40 W LED compact wash light,
5° - 24° Zoomable optics.

COLORADO BATTENS



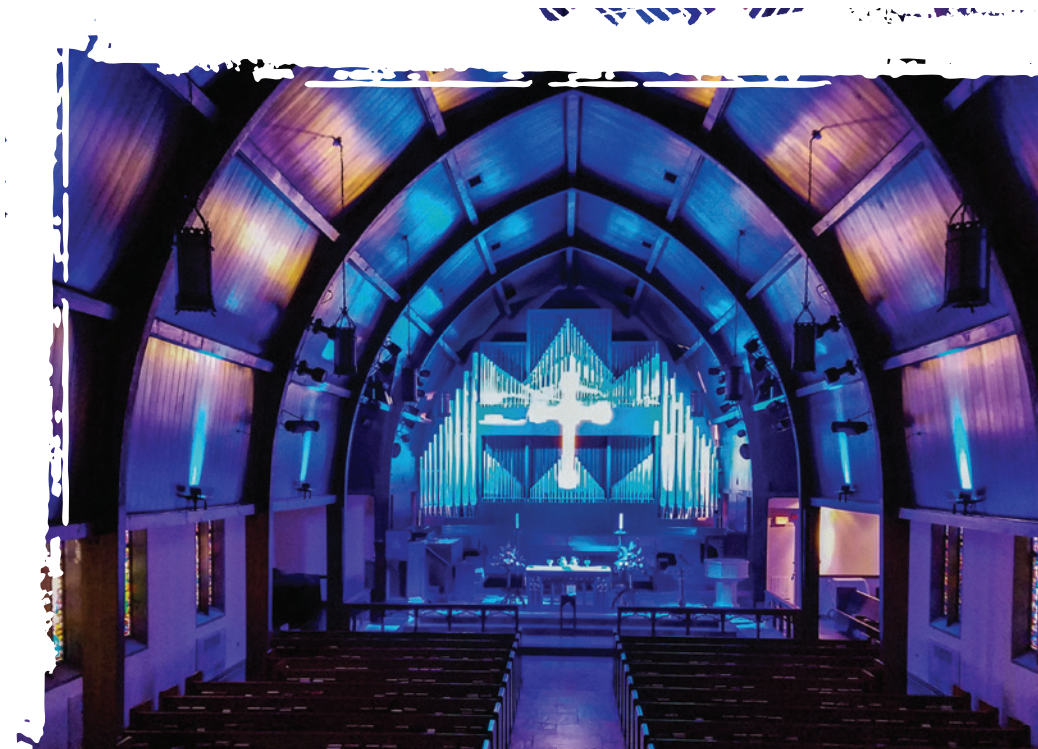
COLORado Solo Batten

144 3 W RGBAWLEDs.



COLORado Solo Batten 4

48 3 W RGBAWy LEDs.



LED VIDEO PANELS

CLEAR & BRIGHT

Whether you're displaying inspiration text and images, or showing live video feeds, our flicker-free LED video panels have the resolution and brightness to deliver a positive viewing experience to worshippers regardless of where they're seated in your sanctuary. We offer a complete range of video solutions.

"When we aren't using video, we simply display that image of our normal brick wall on the panels and have them 'disappear' by blending with the building. The clarity of the video panels' images allows us to do this plan"

**- Heath Ramsey,
Technical Director**



F SERIES VIDEO PANELS & ACCESSORIES



F2
2.9 mm pixel pitch 1 m x 0.5 m LED video panel with a refresh rate of 3,840 Hz + front and rear serviceable due to its magnetic LED modules.

F2 and F5IP panels are supplied in four pack road cases.



F5IP
5.9 mm pixel pitch 1 m x 0.5 m LED video panel with a refresh rate of 1,920 Hz + front and rear serviceable due to its magnetic LED modules.



F6 Strip IP
6.9 mm pixel pitch LED video panel with a refresh rate of 5,940 Hz



GROUNDSSUPPORTKIT
The Ground Support 2 Kit is a proper and safe ground support/stacking system for professional video wall setups.



VIDCURVEKIT
Curves one panel of the F2, F5IP, F4IP in concave angles, and is selectable between 5 and 10 degrees



DRBF100CM & DRBF50CM Rig Bars
May be used to hang the video wall overhead, and also for ground stacking purposes, by adding in the new GROUNDSSUPPORT2KIT



VIP Drive 83R Nova
Streamlined all-in-one video wall mapper/ switcher for use with the Novastar video control protocol. With three inputs, eight outputs.



VIP Drive 43R Nova2
Streamlined all-in-one video wall mapper/scaler/ switcher for use with the Novastar video control protocol. With four inputs, three outputs.

LED PIXEL-MAPPING

SIZZLING & UNIQUE

Enrich the stage and draw your audience in with powerful and sizzling pixel mapping displays. In today's fast-paced real-time world, keeping people's attention can be a challenge. The CHAUVET Professional Épix series provide eye-popping images to keep everyone's attention.

"These fixtures are popular with a lot of churches like Hillcrest that hold different types of services. I appreciated the fixtures for this Christmas concert, because I could change up the look a lot to keep the visuals interesting."

**- Craig Rutherford,
Lighting Designer**



ÉPIX SERIES



IP65 RATED



IP65 RATED

Épix Strip IP

39.3" strip with 100 pixel mappable RGB LEDs in one row.

Épix Strip IP 50

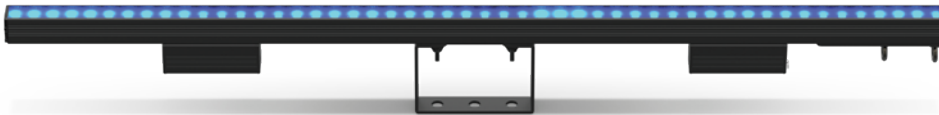
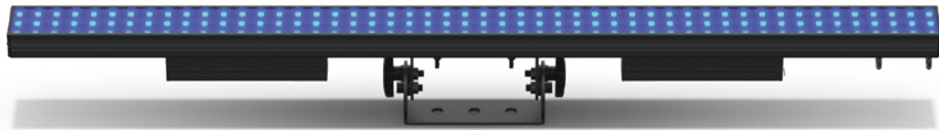
19.6" strip with 50 RGB pixel mappable LEDs in one row.



IP65 RATED

Épix Drive 2000 IP

Hosts the processing and power supply for the Épix IP and Tour system.



Épix Bar Tour

39.4" strip with 150 RGB pixel mappable LEDs arranged in three rows.

Épix Strip Tour

39.4" strip with 50 RGB pixel mappable LEDs in one row.

Épix Strip Tour 50

19.6" strip with 25 RGB pixel mappable LEDs in one row.



Épix Drive 900

Hosts the processing and power supply for the Épix Tour system.



IP67 RATED

Épix Flex 20

5 meter flexible strip with 240 RGB pixel mappable LEDs.



Épix Flex Drive

Controls the Épix Flex 20 with 2 plug and play outputs that drive up to 4 Épix Flex 20 at 960 LEDs each.



IP65 RATED

Épix Flex Boost

24V in-line voltage booster that doubles the capacity of each output on the Épix Flex Drive to 1920 LEDs or 8 Épix Flex 20.



NETWORKING & DISTRIBUTION

RELIABLE & USER-FRIENDLY

Easily configure and maintain your worship center's lighting systems with these powerful DMX, RDM and Ethernet-based networking solutions.



RDM Enabled Console.

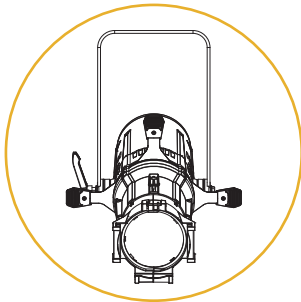
Powerful DMX to Ethernet (ArtNet, sACN, Kling-net) node with a backup DMX recorder 8 outputs of DMX: 8 universes.

Rugged, RDM compliant DMX splitter 1 in 8 outputs of DMX: 1 universe 2 in 4 outputs of DMX: 2 universes.

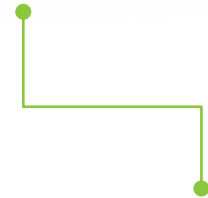
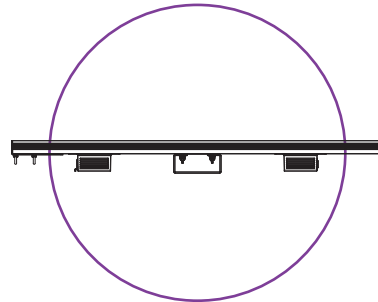
Intelligent relay pack that prolongs your fixture lifespan.



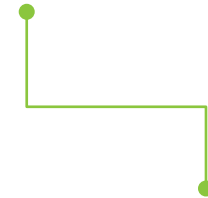
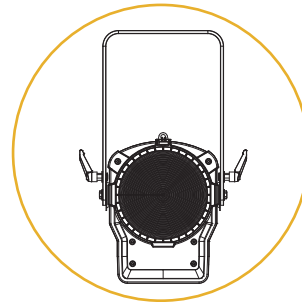
DMX Connection



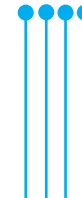
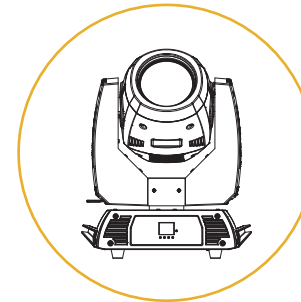
TCP/IP Connection



DMX Connection



DMX Connection



Power Cable

Key Ethercon, (ArtNet, sACN, Kling-net) Cable ——— DMX Cable ——— Power Cable ——— TCP/IP Connection ——— DMX Connection ———

CONTACT US

GLOBAL HEADQUARTERS

5200 NW 108th Avenue
Sunrise, FL. 33351 USA

NEVADA BRANCH

3325 W. Sunset Rd
Suite i
Las Vegas, NV 89118
USA

MEXICO BRANCH

Av. de las Partidas 34 - 3B
(entrada por Calle 2) Zona
Industrial Lerma
Lerma, Edo. de México, CP 52000
México

GERMANY BRANCH

Bruno-Burgel-Str. 11
DE-28759 Bremen
Germany

BELGIUM BRANCH

Stokstraat 18
9770 Kruishoutem
Belgium

FRANCE BRANCH

3, rue Ampère
91380 Chilly Mazarin
France

UK BRANCH

Unit 1C Brookhill Road
Industrial Estate
Pinxton, Nottingham
NG16 6NT
United Kingdom

